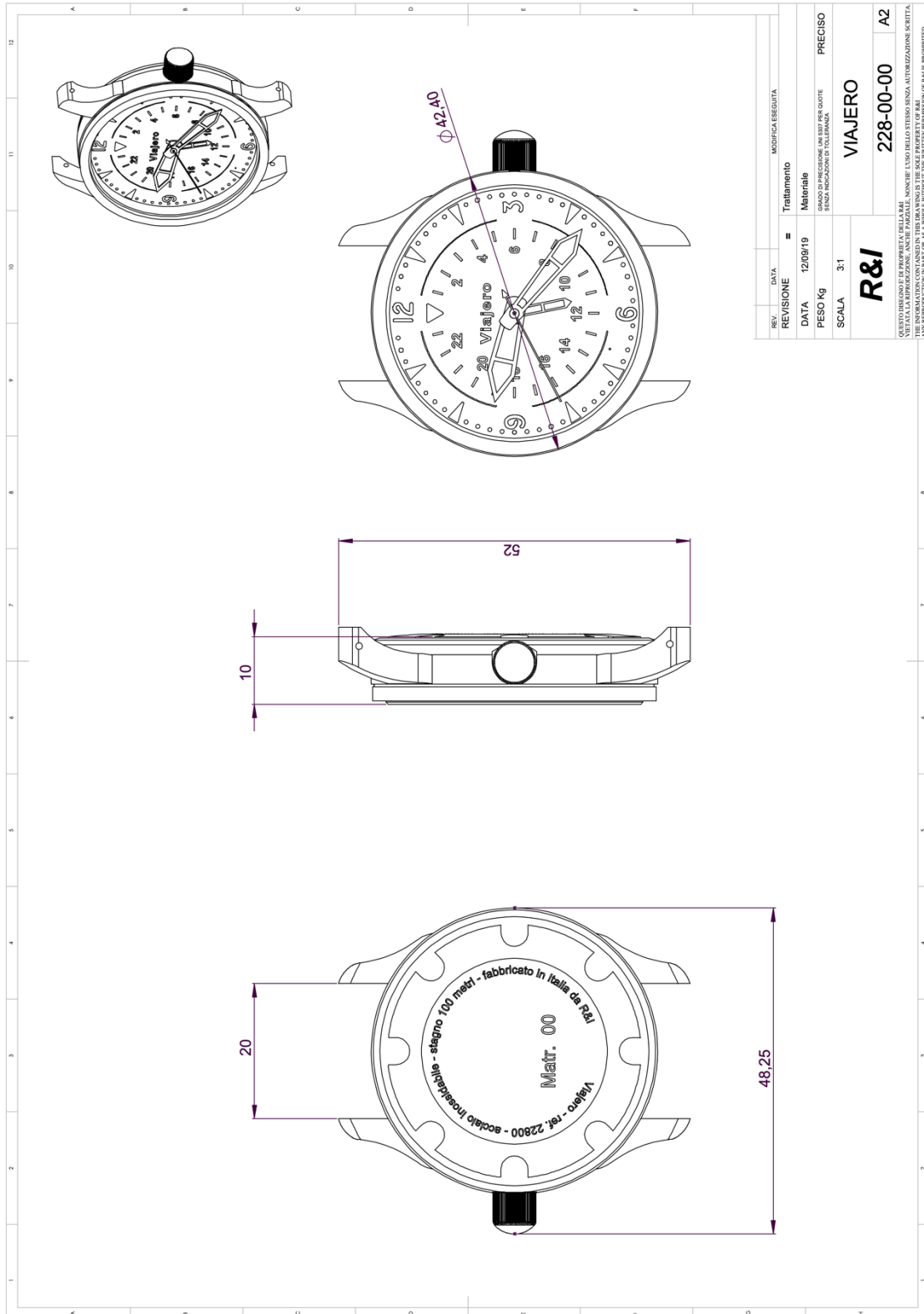




TECHNICAL SHEET

Movement	Electronic, \varnothing 26 mm
Functions	Hours (12h) : hours (24h) : minutes : central seconds
Battery type (life)	371 (45 months)
Case (diameter)	Stainless steel, micro-peened (42,5 mm)
Case-back	<ul style="list-style-type: none">▪ Stainless steel, micro-peened▪ Watertightness guaranteed by o-rings
Lug size	20 mm
Diving features	Pressure-resistant and waterproof to 100 m
Crown	Stainless steel, micro-peened
Crystal	Flat, parallel, mineral glass
Dial (diameter)	Luminescent minute markers and numerals (38 mm)
Bezel	Fixed, stainless steel, micro-peened
Strap	Length 125 / 75



Several configurations may be possible : the technical drawing represents the basic model only.