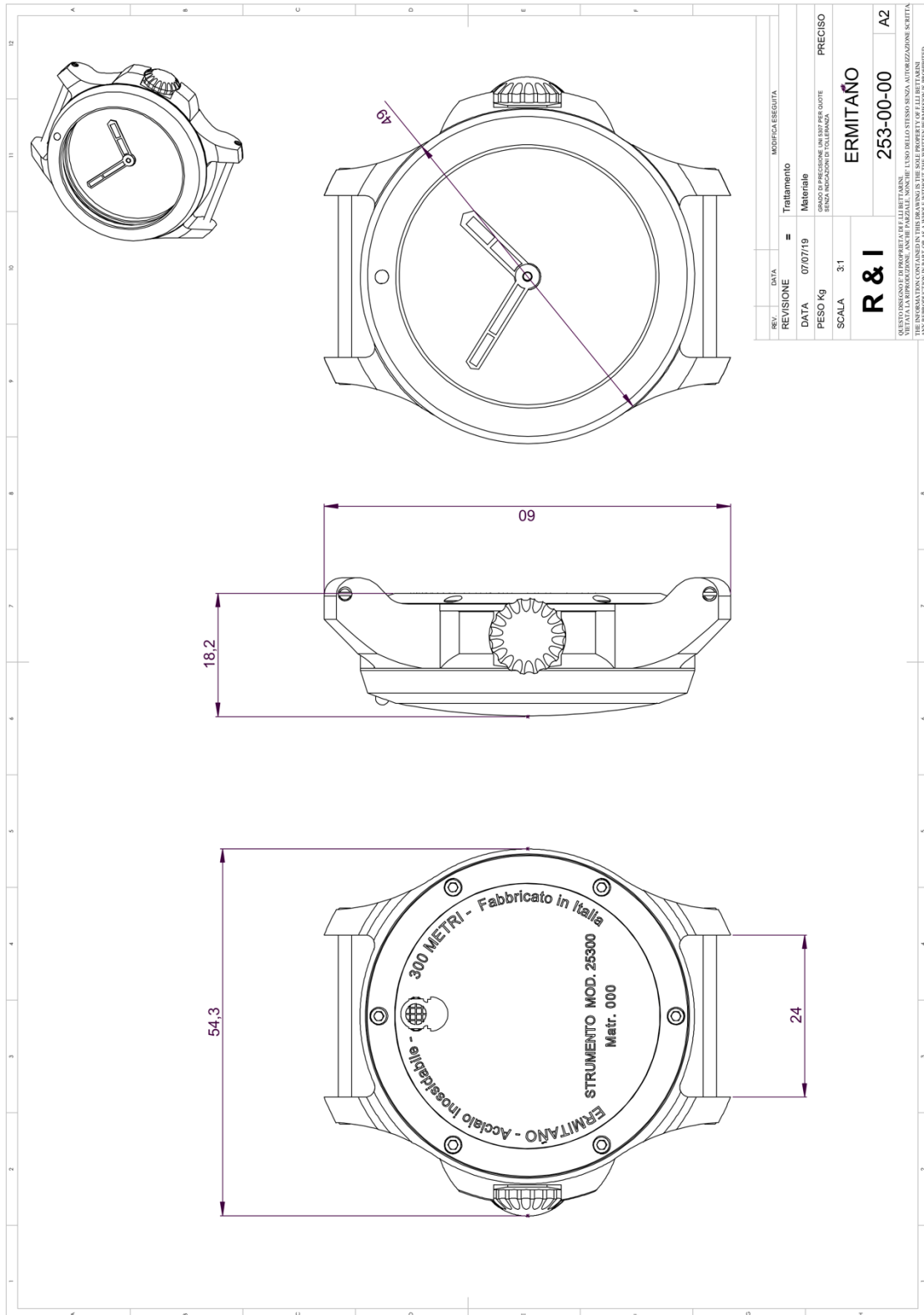




## TECHNICAL SHEET

Movement	Mechanic, manual winding, ø 37,2 mm
Functions	Hours : minutes
Power reserve	46 hours
Frequency	<ul style="list-style-type: none"><li>▪ 18000 beats/hours</li><li>▪ 17 jewels</li></ul>
Case (diameter)	X2CrNiMo17-12-2 stainless steel, polished (49 mm)
Case-back	<ul style="list-style-type: none"><li>▪ X2CrNiMo17-12-2 stainless steel, polished, secured to the case by 6 DIN 912 screws</li><li>▪ Watertightness guaranteed by o-rings</li></ul>
Lug size	24 mm
Diving features	Pressure-resistant and waterproof to 300 m
Crown	<ul style="list-style-type: none"><li>▪ X2CrNiMo17-12-2 stainless steel, gold metal</li><li>▪ Watertightness secured by 2 o-rings</li></ul>
Crystal (width)	Flat, convex, PMMA (7.4 mm)
Dial (diameter)	Monochrome (38 mm)
Bezel	Fixed, X2CrNiMo17-12-2 stainless steel, polished
Strap	Length 125 / 75



Several configurations may be possible : the technical drawing represents the basic model only.