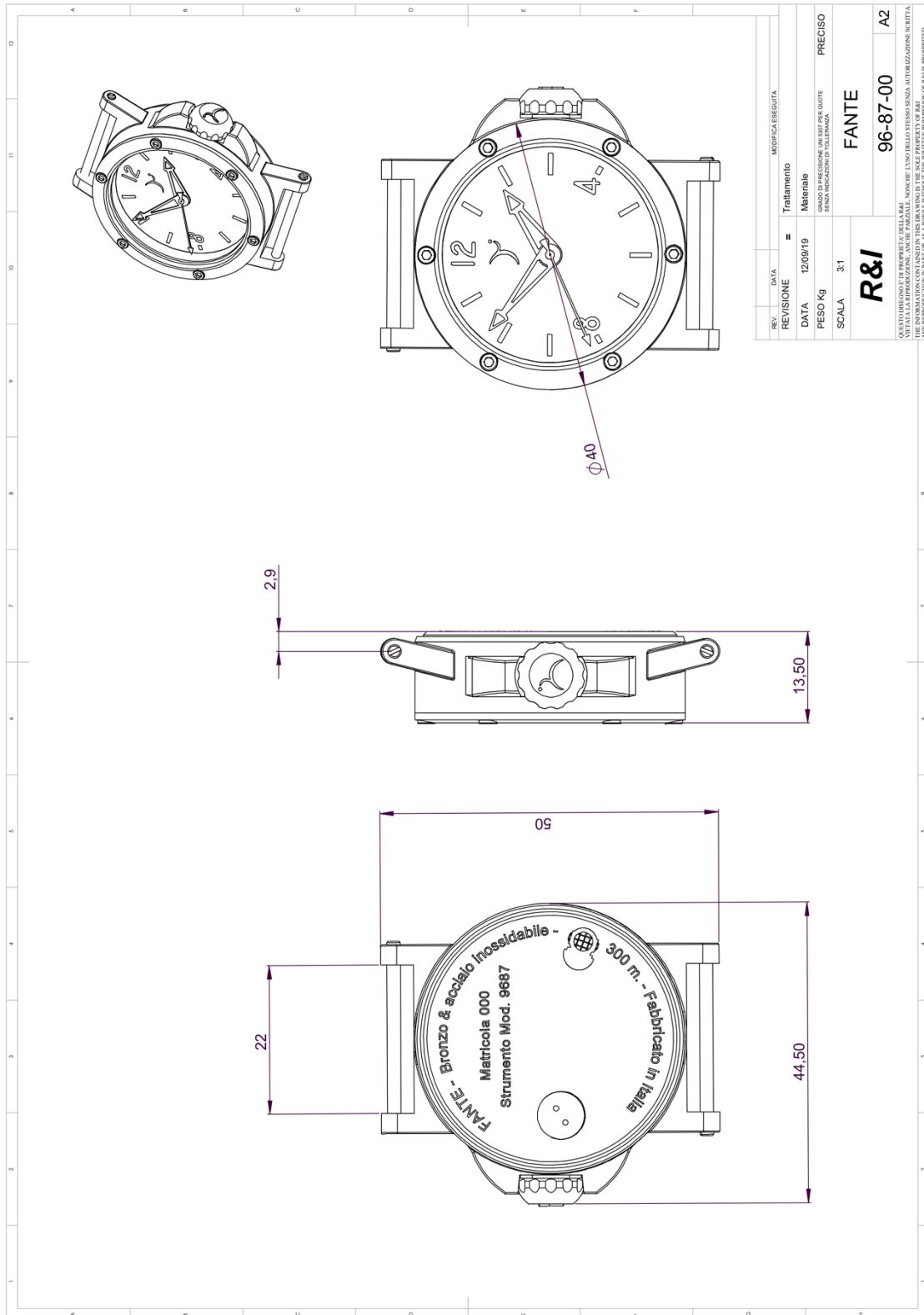




TECHNICAL SHEET

Movement	Mechanic, self-winding, ø 26 mm
Functions	Hours : minutes : central seconds
Power reserve	40 hours
Frequency	21600 beats/hour
Case (diameter)	Bronze, patinated (40 mm)
Case-back	<ul style="list-style-type: none">▪ Joined to the case in an unmovable way▪ Watertightness guaranteed by o-rings
Lug size	22 mm
Diving features	Pressure-resistant and waterproof to 300 m
Crown	<ul style="list-style-type: none">▪ Bronze, patinated▪ Watertightness secured by 2 o-rings
Crystal	Flat, convex, sapphire
Dial (diameter)	Luminescent minute markers and numerals (32 mm)
Bezel	Fixed, bronze, patinated
Strap	Length 125 / 75



Several configurations may be possible : the technical drawing represents the basic model only.