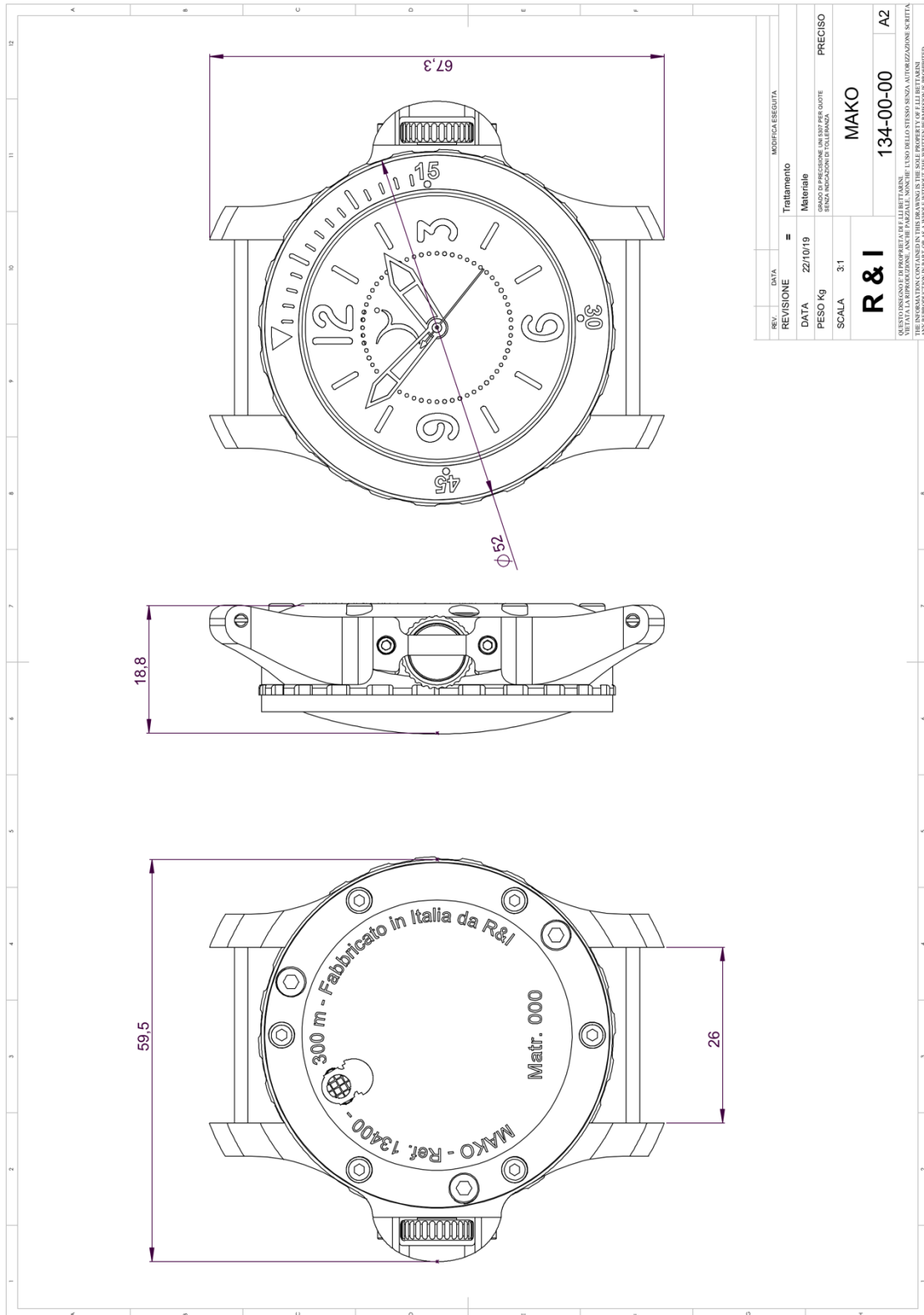




TECHNICAL SHEET

Movement	Mechanic, self-winding, ø 26 mm
Functions	Hours : minutes : central seconds
Power reserve	38 hours
Frequency	<ul style="list-style-type: none">▪ 28800 beats/hours▪ 25 rubies
Case (diameter)	Bronze, patinated (52 mm)
Case-back	<ul style="list-style-type: none">▪ Grade 5 titanium, secured to the case by 6 DIN 912 screws▪ Watertightness guaranteed by o-rings
Lug size	26 mm
Diving features	Pressure-resistant and waterproof to 1000 m
Crown	<ul style="list-style-type: none">▪ X2CrNiMo17-12-2 stainless steel, micro-peened finish▪ Bridge crown protector, fixed with screws to the case▪ Watertightness secured by 2 o-rings and an energized gasket
Crystal (width)	Flat, convex, PMMA (6 mm)
Dial (diameter)	Luminescent minute markers and numerals (39 mm)
Bezel	<ul style="list-style-type: none">▪ Rotating, bronze, bidirectional▪ Lockable by lever, removable from the case without prejudice to watertightness▪ Hour markers, palladium
Strap	Length 125 / 75



Several configurations may be possible : the technical drawing represents the basic model only.